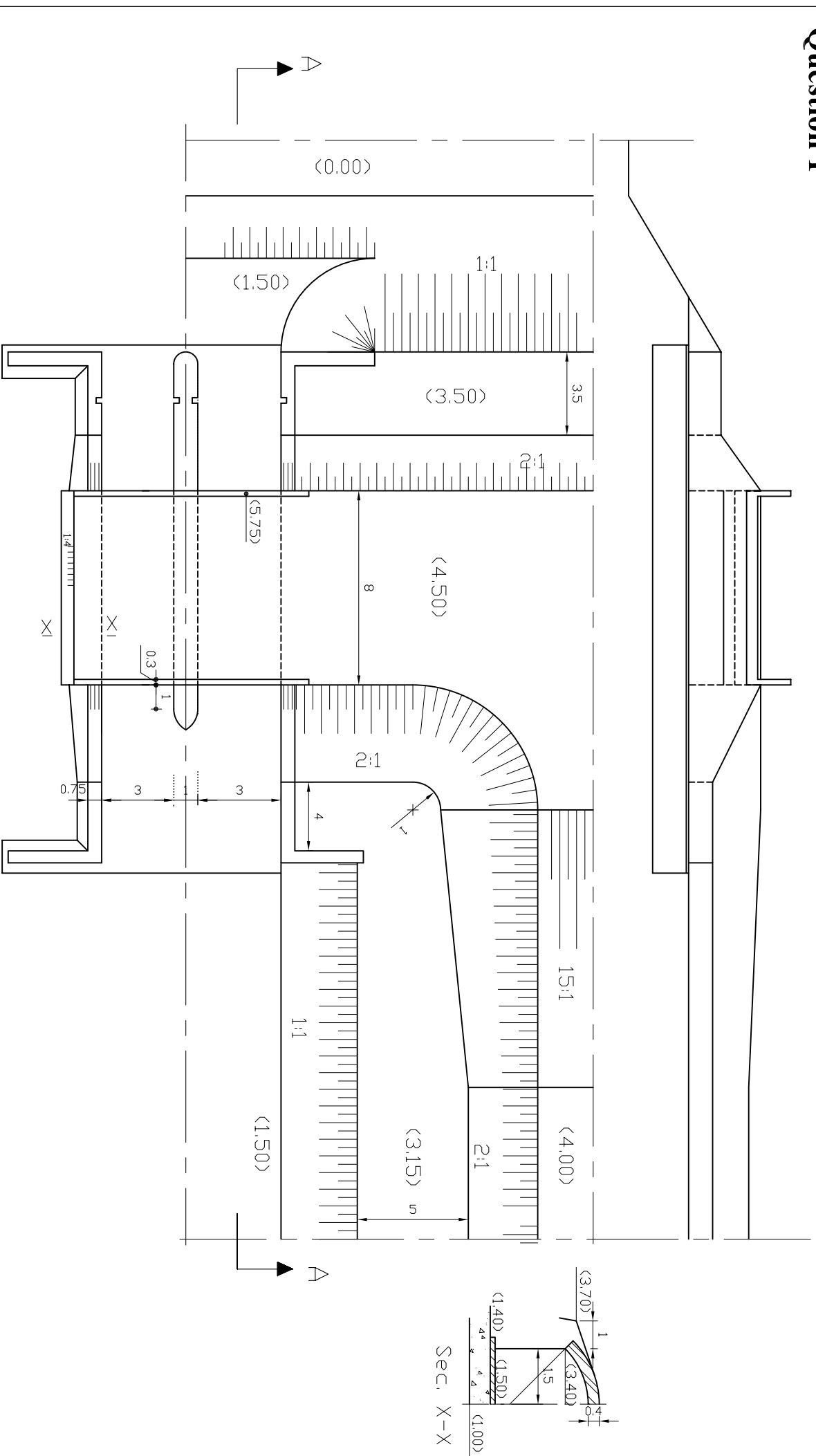


Question 1

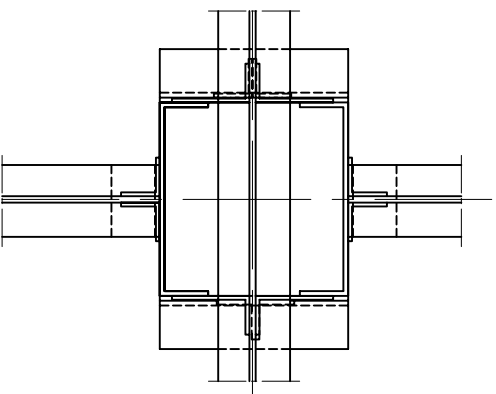
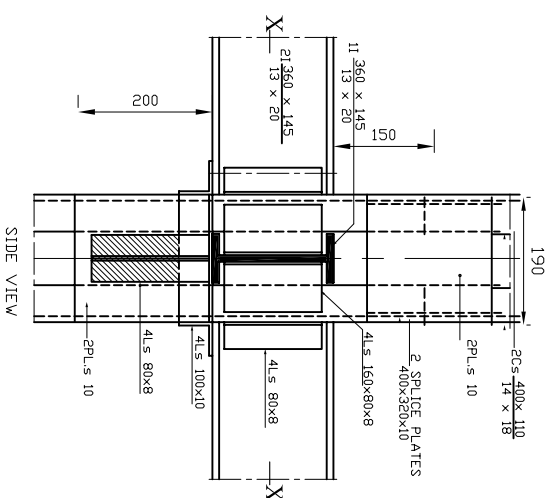


### Question 2

The given is a side view of column-beam connection.

**Draw to a scale 1:5**

- A) The Given Side View. ....5 P.
- B) The Elevation ..... 10 P.
- C) Section Plan X-X ..... 10 P.



### Question 3

The given is a plan of slabs and beams. **Draw:**

1. All necessary reinforcement of sec X-X ..... 6 P.
2. All necessary reinforcement of sec Y-Y ..... 10 P.
3. X-sec. in beam B2 ..... 4 P.

